

INDUSTRIAL VACUUM CLEANING EQUIPMENT**PAC VAC I SCRAP RECOVERY UNIT**

THE PAC VAC I IS INTENDED FOR USE IN THE PACKAGING INDUSTRY FOR THE RECOVERY AND COLLECTION OF SMALL SCRAP ("TRIM") FROM PACKAGING OR

TUBE-FILLING EQUIPMENT. NOW YOU CAN COLLECT YOUR SCRAP BY VACUUM INSTEAD OF LETTING IT SETTLE IN YOUR MACHINERY AND ON THE FLOORS.



- Designed for smaller trim pieces up to 2" long, 1/4" wide
- Small 20" x 23" footprint for crowded packaging rooms
- High airflow (280cfm) to capture airborne scrap pieces
- Low operating noise to meet today's OSHA standards
- Clear plastic bag easily shows when it's full
- Continuous-duty motor for round-the-clock packaging lines
- Big 2 cu. ft. capacity—non-stop operation during shifts
- 1/3 HP motor runs on convenient 110v electric current
- Wall-mounting frame also available
- Standard accessories: 10' x 3" flex hose, 100 plastic bags, elastic strap for holding collection bag, caster frame.
- Built tough! Carbon steel and epoxy paint
- Portable for easy placement around packaging machines

PAC VAC I SCRAP RECOVERY UNIT

STANDARD SPECIFICATIONS:

Collecting Capacity: 2.0 cu. ft. (56 liters)

Electrics: 0.33 HP totally - enclosed fan - cooled (TEFC) motor, 110V/1 phase/60HZ (other voltages also available)

Maximum Airflow: 280 cfm (475 cu. m./hour)

Maximum Vacuum: 4" waterlift (249 pa)

Maximum Air Velocity through hose: 5,714 feet/min (29 m/sec.)

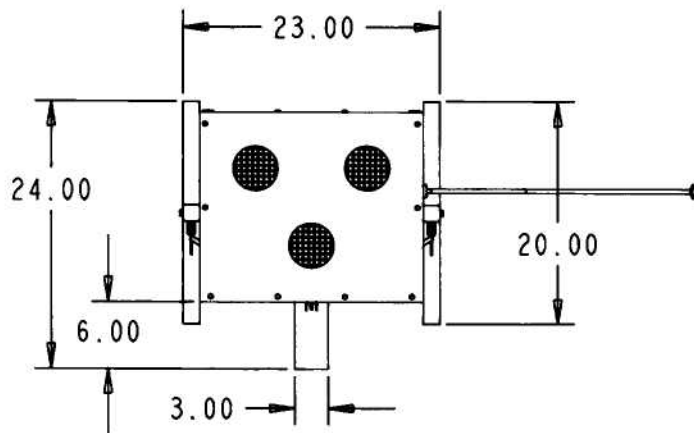
Vacuum Inlet Connection: 3" (76mm) outside diameter

NoiseLevel: 74 dba at 3 ft.

Casters: Four (4) ball-type

Material of Construction: Carbon steel, painted blue epoxy

DIMENSIONS



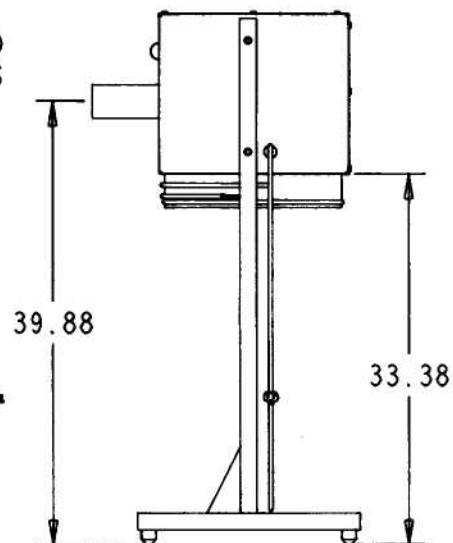
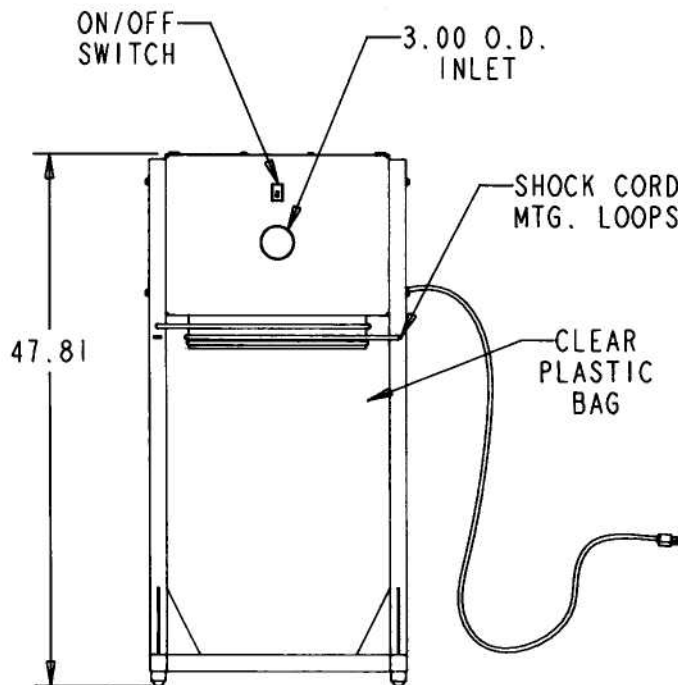
STANDARD ACCESSORIES:

Flexible suction hose: 10' X 3" I.D. (3,000 mm X 76 mm)

One Hundred (100) clear plastic collection bags

Elastic strap for holding collection bag in place

Power cord: 110v grounded, 15ft. (4,600 mm) long



VAC-U-MAX®

37 Rutgers St. Belleville, NJ 07109
(201) 759-4400 • (800) 289-8228 • FAX (201) 759-6449